



UPFITTER PARTS CATALOG

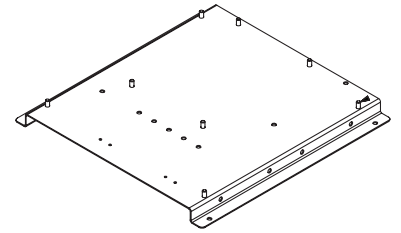
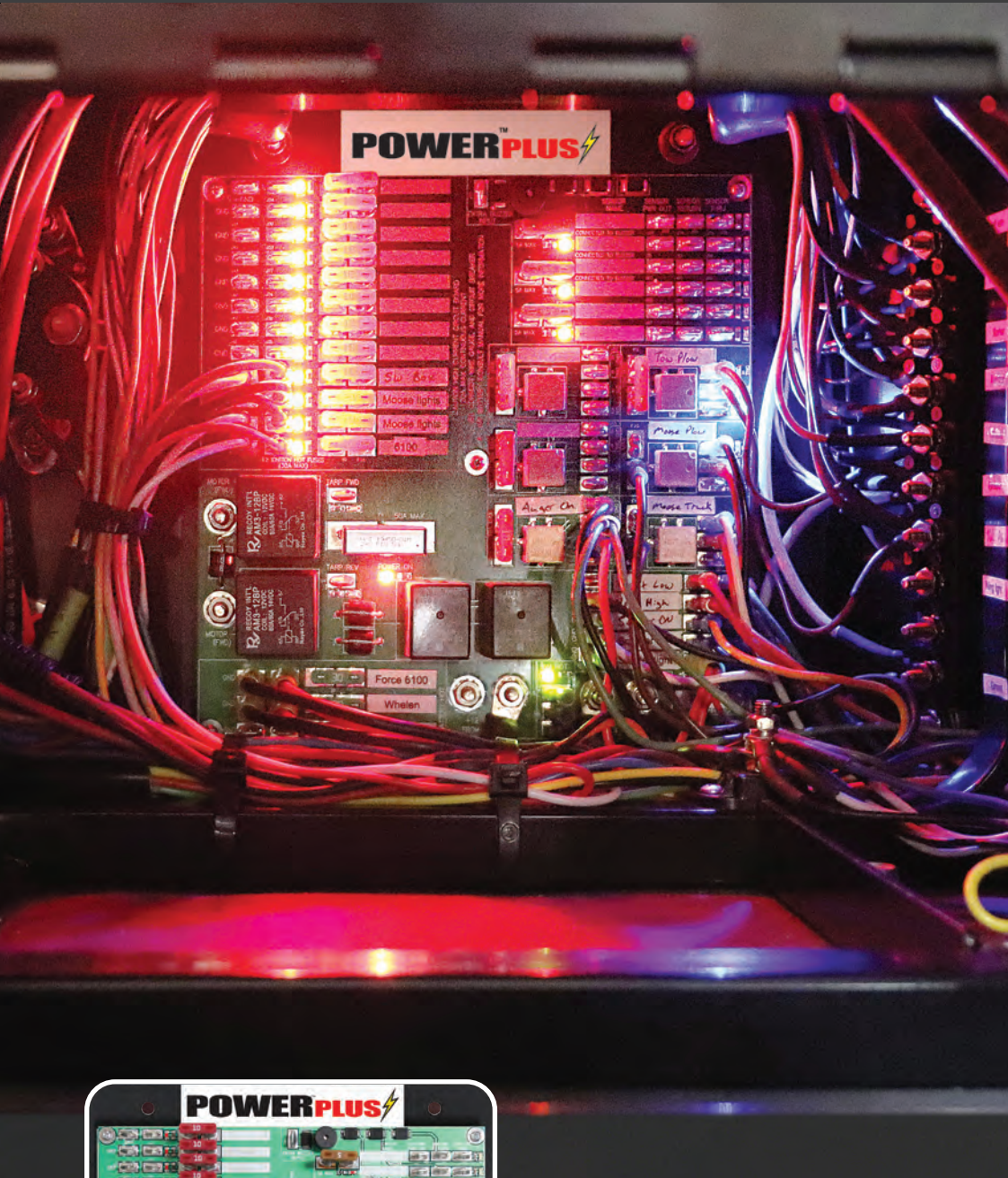
2023



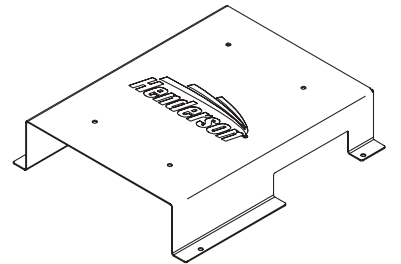
Index

| Section | Pages |
|--|-------|
| PowerPlus™ Power Distribution Panel | 3 |
| Sure Step™ Ladder & Steps | 4 |
| Stainless Steel Toolboxes | 5 |
| Pintle Plates | 6-11 |
| Pintle Plate Attachments | 12-13 |
| Mud Flaps | 14-15 |
| Mud Flap Brackets | 16-17 |
| Stainless Steel Hydraulic Lines | 18 |
| Stainless Steel Brackets for Hydraulics | 19 |
| Universal Stainless Steel Brackets, Hangers & Enclosures | 20-21 |
| Hydraulic Couplers & Sensors | 22-23 |
| Stainless Steel Plow Light Bracket Kits | 24-25 |
| Stainless Steel Plow Light Brackets for Power Tilt Hitch | 26 |
| Lights & Connectors | 27 |
| Hold Down Straps | 28 |
| Hitch Mount Kits | 29 |
| Stainless Steel Rear Frame Mount & 3H Light Kit for Hooklift | 30 |
| Hooklift Frames | 31 |
| Our Team | 32 |

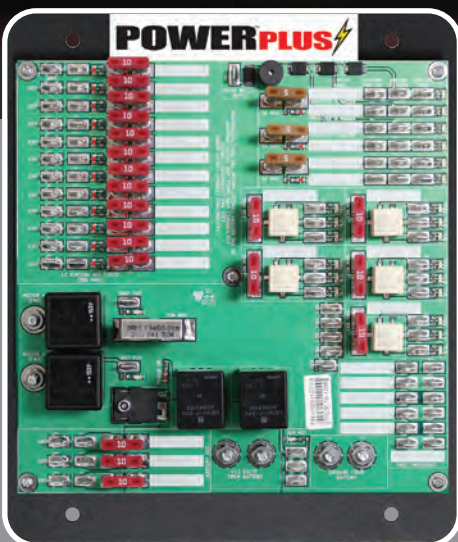
Power Distribution Panel



138178.201
PowerPlus Power Distribution
Base Weldment



138179.201
PowerPlus Power Distribution
Box Cover



Power Plus™ Power Distribution Panel

Every powered circuit is fused to prevent damage to the electrical system with the Henderson Power Plus™. Each line is illuminated for quick visual system diagnosis. A circuit breaker is installed between the panel and the truck battery for added safety. The Power Plus panel can be installed on the inside back of the cab (with stainless steel enclosure), or under the passengers seat (shown).

| PART NO. | DESCRIPTION |
|----------|--|
| 148605 | Power Plus™ Power Distribution Panel |
| 143047 | Assembly box / cover (see individual components on page 31) |
| 115730 | Hexhead nut - self locking |
| 143564 | Kit with the above part numbers |
| 156472 | Line description decals for Power Plus™ Power Distribution Panel |

Sure-Step Ladder & Toolbox

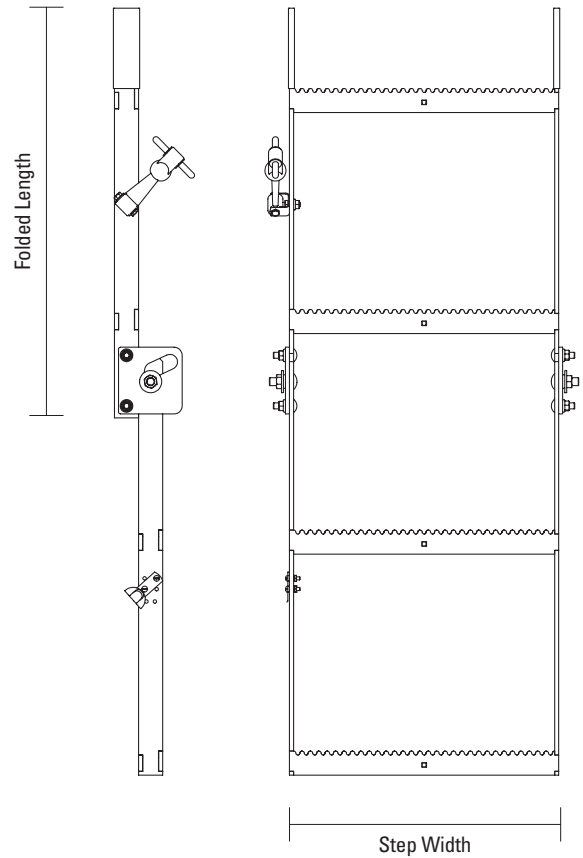


Sure-Step Bolt-On Pivoting Ladders for Dump Bodies

| PART NO. | DESCRIPTION | | | |
|------------|---------------|-----------------------|-------------------|----------------------------------|
| 155879.201 | 24.45" folded | 46.68" overall length | 16.75" step width | 201 stainless steel construction |
| 155880.201 | 30.45" folded | 52.67" overall length | 16.75" step width | 201 stainless steel construction |
| 155881.201 | 36.45" folded | 69.44" overall length | 16.75" step width | 201 stainless steel construction |
| 155882.201 | 44.45" folded | 77.44" overall length | 16.75" step width | 201 stainless steel construction |
| 155883.201 | 52.45" folded | 85.44" overall length | 16.75" step width | 201 stainless steel construction |
| 155884.201 | 60.45" folded | 93.44" overall length | 16.75" step width | 201 stainless steel construction |

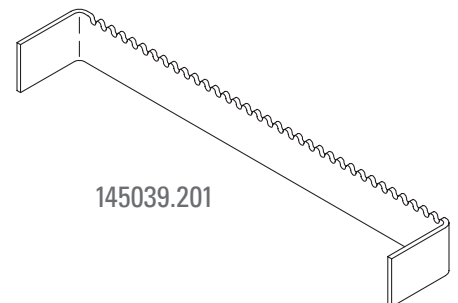
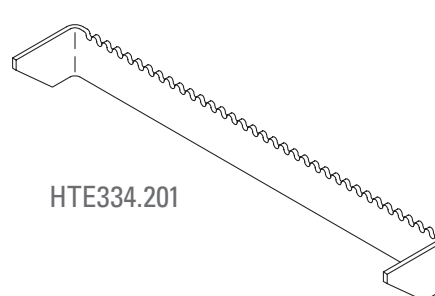


Unfinished stainless steel is standard.



Sure-Step Stainless Steel Steps

| PART NO. | DESCRIPTION |
|------------|--|
| HTE334.201 | Angled sides - 18.00" wide x 3" deep, serrated grip, weld-on - for sidebrace angled attachment |
| 145039.201 | Straight sides - 18.00" wide x 3" deep, serrated grip, weld-on - for flat surface attachment |





Stainless Steel Toolboxes

- Rubber door seals for weather resistance

| PART NO. | DESCRIPTION | |
|------------|-----------------------------|------------------------|
| 180220.201 | 18.00"W x 18.00"H x 24.00"D | |
| 180148 | 18.00"W x 18.00"H x 35.00"D | |
| 130266.201 | 36.00"W x 18.00"H x 24.00"D | |
| 176701.201 | 36.00"W x 18.00"H x 18.00"D | |
| 180095.201 | Bracket mount kit | |
| 180166.201 | Bracket mount kit | 18.00" x 24.00" |
| 121710 | 96.00"W x 25.62"H x 24.25"D | For 35 degree Munibody |
| 121688 | 66.00"W x 25.62"H x 24.25"D | For 35 degree Munibody |
| 156786.201 | 42.00"W x 25.62"H x 24.25"D | For 35 degree Munibody |
| 156507 | Seal | |
| 88508 | Latch | |



Pintle Plates



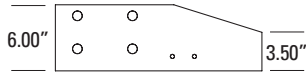
All Pintle Plates

| PART NO. | DESCRIPTION | | |
|----------|--------------|-------------------------|--|
| 135094 | 1.00" plate | 34.00" x 24.00" | Fits 4.50" frame rails |
| 140876 | 1.00" plate | 34.00" x 24.00" | Fits 3.80" frame rails |
| HTE256 | 1.00" plate | 33.25" x 14.00" | Fits 3.50" frame rails |
| 158144 | 1.00" plate | 34.00" x 24.00" | Fits 4.50" frame rails - with two 13.25" posts at 17.75" on center |
| 158145 | 1.00" plate | 33.25" x 29.63" | Fits 4.55" frame rails - with two 13.25" posts at 17.75" on center |
| 158146 | 1.00" plate | 33.25" x 27.63" | Fits 4.55" frame rails - with two 13.25" posts at 17.75" on center |
| 137680 | 0.75" plate | 34.00" x 19.75" | Fits 3.69" frame rails |
| 140136 | 0.75" plate | 33.88" x 25.63" | Fits 10.63" frame rails |
| 140859 | 0.75" plate | 33.88" x 24.50" | Blank |
| HTE45 | 0.75" plate | 33.13" x 17.09" | Fits 4.00" frame rails |
| HTE208 | 0.75" plate | 33.13" x 24.05" | Fits 9.50" frame rails |
| HTE213 | 0.75" plate | 33.375" x 14.75" | Blank with cutouts for 3 light cluster |
| HTE239 | 0.75" plate | 33.13" x 17.50" | Cutout for 2" receiver tube and 3 light cluster - for single axle w/ sub-frame |
| HTE240 | 0.75" plate | 33.13" x 17.50" | Fits 9.50" frame rails - holes for 20-ton hook and 3 light cluster - for SA w/ sub-frame |
| HTE241 | 0.75" plate | 33.13" x 17.50" | Fits 9.50" frame rails - holes for 25-ton hook and 3 light cluster - for SA w/ sub-frame |
| HTE269 | 0.75" plate | 33.50" x 15.00" | Cutouts for 2 round lights |
| HTE270 | 0.75" plate | 33.50" x 15.00" | Cutouts for round light holes and 3 light cluster |
| HTE271 | 0.75" plate | 33.50" x 15.00" | Cutouts for rectangular light holes and 3 light cluster |
| HTE272 | 0.75" plate | 33.50" x 15.00" | Holes for 20-ton hook, cutouts for round light holes and 3 light cluster |
| HTE273 | 0.75" plate | 33.50" x 15.00" | Holes for 25-ton hook |
| HTE335 | 0.75" plate | 33.50" x 24.50" | Fits 9.50" frame rails - holes for 20-ton hook and 3 light cluster - for SA w/ sub-frame |
| HTE336 | 0.75" plate | 33.88" x 9.50" | Fits 4.50" frame rails - for tandem axle |
| 122356 | 0.625" plate | 33.88" x 24.50" | Fits 9.50" frame rails - blank |
| HTE355 | 0.625" plate | 36.00" x 16.00" | 1-ton, cutouts for 2" receiver and 3 light cluster |
| HTE356 | 0.625" plate | 36.00" x 16.00" | 1-ton, cutouts for 20-ton hook and 3 light cluster |
| NJTA130 | 0.50" plate | 34.88" x 14.87" x 2.93" | Fits 7.50" frame rails - plate formed into a C bracket |
| HTE313 | 0.50" plate | 32.38" x 10" x 3.75" | Fits 4.88" frame rails - plate formed into L bracket |



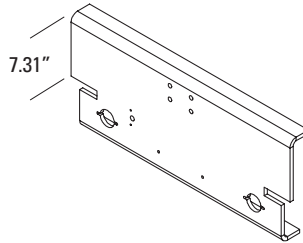
Pintle Plates

0.500" Plate



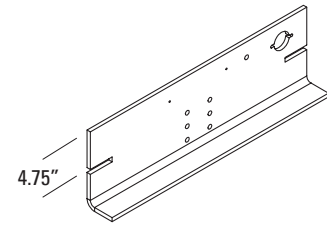
NJTA120

- 0.500" plate
- 18.75" w x 6.00" h
- 6.00" / 3.50" side edges



NJTA130

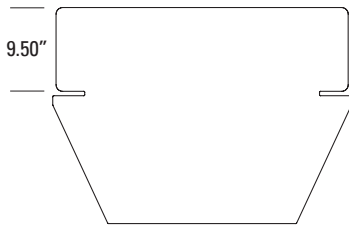
- 0.500" plate
- 34.88" w x 14.87" h
- Fits 7.31" frame rails



HTE313

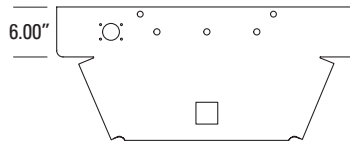
- 0.50" plate
- 32.38" w x 12.83" h
- Fits 4.75" frame rails

0.625" Plate



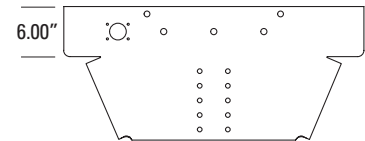
122356

- 0.625" plate
- 33.88" w x 24.50" h
- Fits 9.50" frame rails



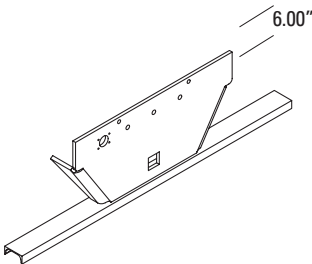
HTE352

- 0.625" plate
- 36.00" w (top) x 16.00" h
- Fits 6.00" frame rails



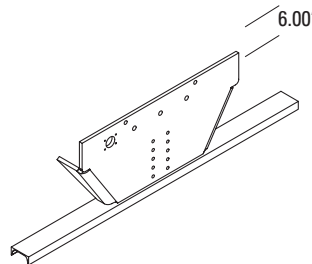
HTE353

- 0.625" plate
- 36.00" w (top) x 16.00" h
- Fits 6.00" frame rails



HTE355

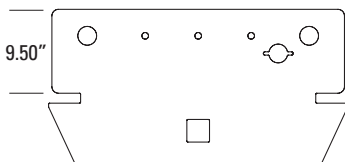
- 0.625" plate
- 36.00" w (top) x 16.00" h + channel
- One ton
- Fits 6.00" frame rails



HTE356

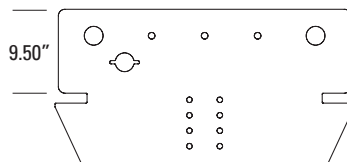
- 0.625" plate
- 36.00" w (top) x 16.00" h + channel
- One ton
- Fits 6.00" frame rails

0.75" Plate



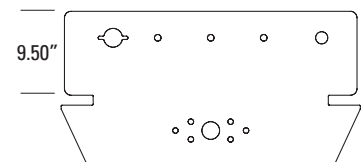
HTE239

- 0.75" plate
- 33.88" w x 17.50" h
- Fits 9.50" frame rails



HTE240

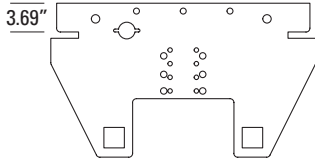
- 0.75" plate
- 33.88" w x 17.50" h
- Fits 9.50" frame rails



HTE241

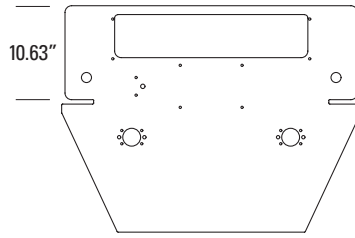
- 0.75" plate
- 33.88" w x 17.50" h
- Fits 9.50" frame rails

0.75" Plate Continued



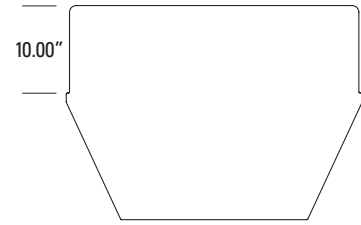
137680

- 0.75" plate
- 34.00"w x 19.75"h
- Fits 3.69" frame rails



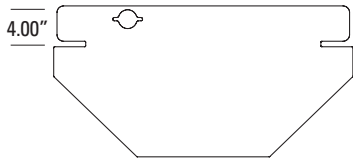
140136

- 0.75" plate
- 33.88"w x 25.63"h
- Fits 10.63" frame rails



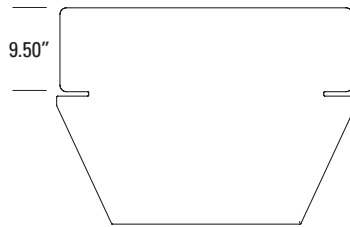
140859

- 0.75" plate
- 33.13"w x 24.50"h
- 10.00" side edges



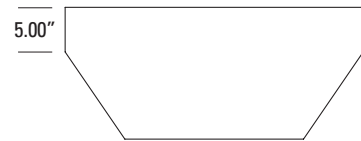
HTE45

- 0.75" plate
- 33.88"w x 17.09"h
- Fits 4.00" frame rails



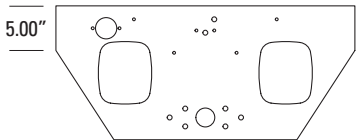
HTE208

- 0.75" plate
- 33.88"w x 24.50"h
- Fits 9.50" frame rails



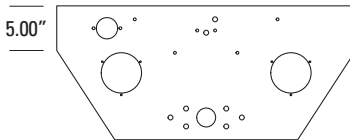
HTE213

- 0.75" plate
- 33.37"w x 14.75"h
- 5.00" side edges



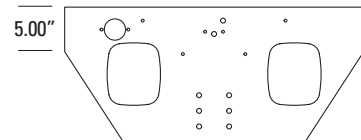
HTE269

- 0.75" plate
- 33.50"w x 15.00"h
- 5.00" side edges



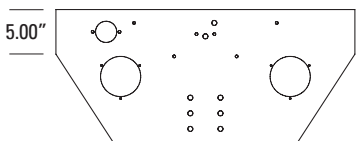
HTE270

- 0.75" plate
- 33.50"w x 15.00"h
- 5.00" side edges



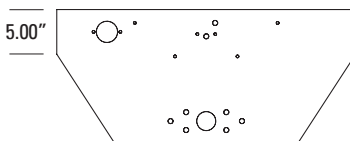
HTE271

- 0.75" plate
- 33.50"w x 15.00"h
- 5.00" side edges



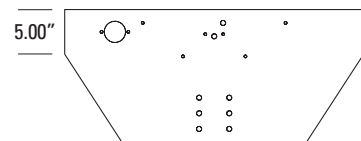
HTE272

- 0.75" plate
- 33.50"w x 15.00"h
- 5.00" side edges



HTE273

- 0.75" plate
- 33.50"w x 15.00"h
- 5.00" side edges

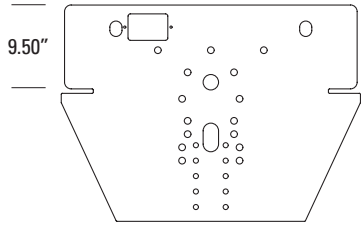


HTE274

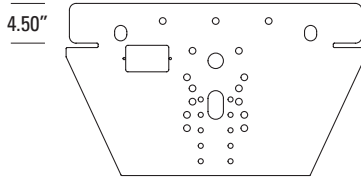
- 0.75" plate
- 33.50"w x 15.00"h
- 5.00" side edges

Pintle Plates

0.75" Plate Continued

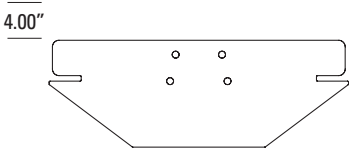


HTE335
 ■ 0.75" plate
 ■ 33.88" w x 24.50" h
 ■ Fits 9.50" frame rails

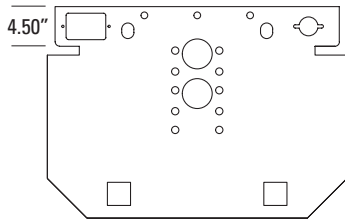


HTE336
 ■ 0.75" plate
 ■ 33.88" w x 19.50" h
 ■ Fits 4.50" frame rails

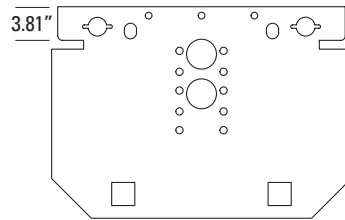
1.00" Plate



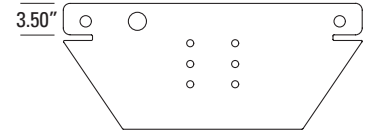
108423
 ■ 1.00" plate
 ■ 33.88" w x 12.09" h
 ■ Fits 4.00" frame rails



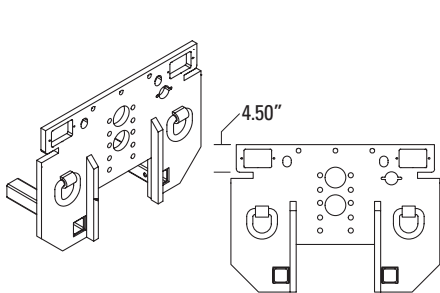
135094
 ■ 1.00" plate
 ■ 34.00" w x 24.00" h
 ■ Fits 4.50" frame rails



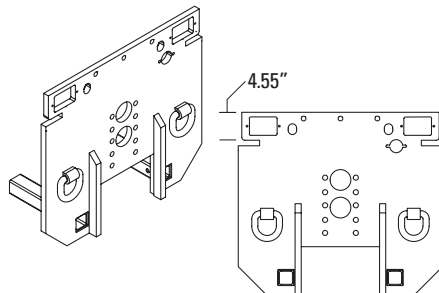
140876
 ■ 1.00" plate
 ■ 34.00" w x 24.00" h
 ■ Fits 3.81" frame rails



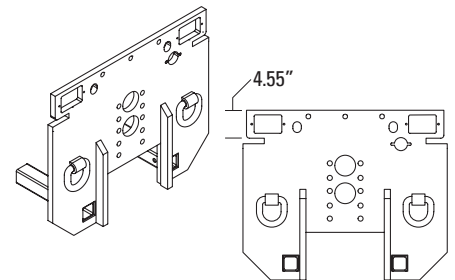
HTE256
 ■ 1.00" plate
 ■ 33.25" w x 14.00" h
 ■ Fits 3.50" frame rails



158144
 ■ 1.00" plate
 ■ 34.00" w x 24.00" h
 ■ Two 1.00" D-rings
 ■ Two tube receivers: 17.75" OC
 ■ Fits 4.50" frame rails



158145
 ■ 1.00" plate
 ■ 33.25" w x 29.63" h
 ■ Two 1.00" D-rings
 ■ Two tube receivers: 17.75" OC
 ■ Fits 4.55" frame rails



158146
 ■ 1.00" plate
 ■ 33.25" w x 27.63" h
 ■ Two 1.00" D-rings
 ■ Two tube receivers: 17.75" OC
 ■ Fits 4.55" frame rails



Attachments Compatibility Guide

| PART NO. | HOLE SIZE | VERTICAL | HORIZONTAL | HTE313 | HTE363 | HTE356 | HTE240 | HTE241 | 137680 | HTE269 | HTE270 | HTE271 | HTE272 | HTE273 | HTE274 | HTE335 | HTE336 | 135094 | 140876 | 158144 | 158145 | 158146 | |
|----------|-----------|-------------|------------|--------|--------|--------|--------|--------|--------|--------|--------|--------|--------|--------|--------|--------|--------|--------|--------|--------|--------|--------|---|
| 160112 | 0.594 | 1.75 | 3.375 | ■ | ■ | ■ | ■ | | ■ | | | ■ | ■ | | ■ | ■ | ■ | | | | | | |
| 160888 | 0.531 | 4.625/8 | 4.5/8 | | | | | ■ | | ■ | ■ | | | ■ | | | | | | | | | |
| 160110 | 0.781 | 5.25/6.5 | 5.25/6.5 | | | | | | | | | | | | ■ | ■ | ■ | | | | | | |
| 160113 | 0.781 | 5.25/6.5 | 5.25/6.5 | | | | | | | | | | | | ■ | ■ | ■ | | | | | | |
| 160365 | 0.781 | 5.25/6.5 | 5.25/6.5 | | | | | | | | | | | | ■ | ■ | ■ | | | | | | |
| 160114 | 0.781 | 2.375/2.125 | 5 | | | | | | ■ | | | | | | | | | ■ | ■ | ■ | ■ | ■ | ■ |
| 160364 | 0.781 | 1.875 | 6 | | | | | | | | | | | | | | | | | | | | |
| 160516 | 0.594 | 1.75 | 3.375 | ■ | ■ | ■ | ■ | | ■ | | | ■ | ■ | | ■ | ■ | ■ | | | | | | |
| 160514 | 0.594 | 1.75 | 3.375 | ■ | ■ | ■ | ■ | | ■ | | | ■ | ■ | | ■ | ■ | ■ | | | | | | |

Pintle Plate Attachments

Hooks | 20 & 25-Ton Capacity



160112

- Combination hook w/ latch
- Forged steel
- Draw bar inner eye dia: 2.00" - 3.00"
- 20-ton capacity



160888

- Swivel hook for use on uneven terrain
- Forged steel
- Draw bar inner eye dia: 2.00" - 3.00"
- 25-ton capacity

Hooks | 45-Ton Capacity



160110

- Tempered ductile iron
- 45-ton capacity w/ air kit



160113

- Tempered ductile iron
- Draw bar eye inner dia.: 2.38" - 3.00"
- 45-ton capacity



160365

- Forged steel
- Draw bar eye inner dia.: 2.38" - 3.00"
- 45-ton capacity w/ air kit

Hooks | 50-Ton Capacity



160114

- Air compensated hook
- Tempered ductile iron
- Inner diameter: 2.38" - 3.00"
- 50-ton capacity



160364

- Includes: air chamber & bracket kit, bolt kit
- Min. eye opening: 2.375"
- 50-ton capacity

Ball Mounts



160516

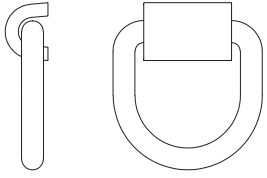
- 2" ball
- Forged steel w/ forged steel ball
- Draw bar eye inner dia.: 2.38" - 3.00"
- 10-ton capacity



160517

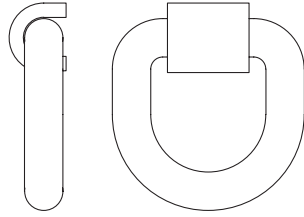
- 2.3125" (25/16") ball
- Forged steel w/ forged steel ball
- Draw bar eye inner dia.: 2.38" - 3.00"
- 10-ton capacity

D-rings



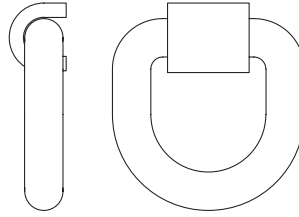
HX12163

- 0.625" D-ring (ring and retainer)
- Straight style
- 6,130 lbs working load



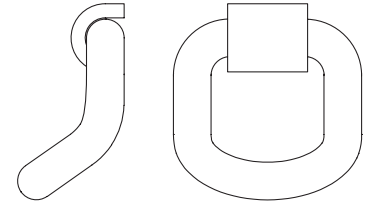
160436

- 0.75" D-ring (ring and retainer)
- Straight style
- 9,120 lbs working load



140637

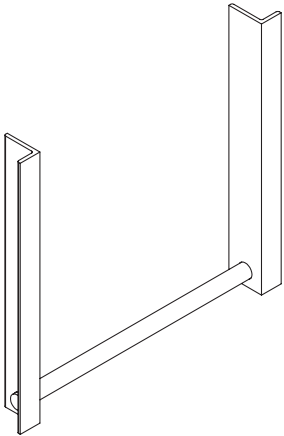
- 1.00" D-ring (ring and retainer)
- Straight style
- 15,586 lbs working load



160935

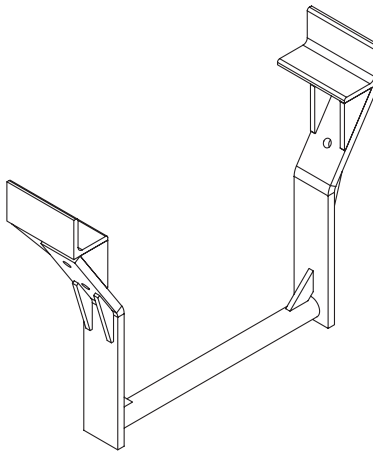
- 1.00" D-ring (ring and retainer)
- 50° bent style
- 15,586 lbs working load

Specialty Channel



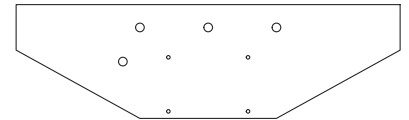
156631

Universal chipper bar kit
Others available upon request.



171930

Chipper bar kit for HTE305 Cover Plate



HTE305

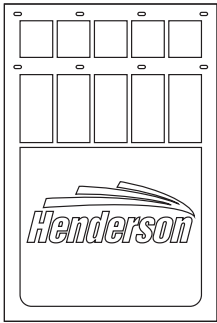
Cover Plate
▪ Four 0.75" holes
▪ Four 0.31" holes

Other Attachments

| PART NO. | DESCRIPTION | | |
|----------|---------------|--------------------------|--|
| HX12163 | 0.625" D-ring | 4.25" x 4.00" plus hinge | Pair, straight style |
| 160436 | 0.75" D-ring | 3.00" x 3.00" plus hinge | Pair, straight style |
| 160637 | 1.00" D-ring | 5.00" x 5.00" plus hinge | Pair, straight style |
| 160935 | 1.00" D-ring | Heavy-duty | Pair, 50° bent style with A style clip |
| 81754 | Ball Joint | 1.88" ball | Fits 1.50" schedule 40 pipe |
| 95130 | Ball Joint | 2.75" ball | Fits 2.50" schedule 40 pipe |
| 95131 | Ball Joint | 1.50" ball | Fits 1.25" schedule 40 pipe |

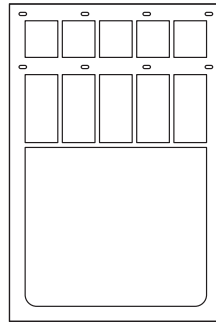
Fenders & Mud Flaps





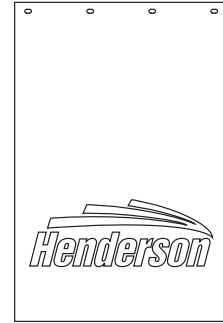
89374

- 0.50" black rubber
- Raised red & white logo
- 24.00"W x 36.00"H
- Holes for 30" or 36"H



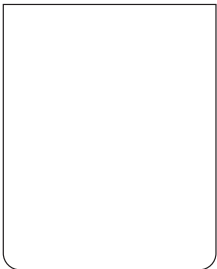
112237

- 0.50" black rubber - plain
- 24.00"W x 36.00"H
- Holes for 30" or 36"H



76561

- Black poly
- Red & white logo
- 24.00"W x 36.00"H



142675

- Black poly - plain
- 24.00"W x 30.00"H



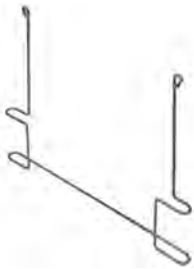
96581.201

- 10-ga. stainless steel
- 24.00"W x 30.00"H



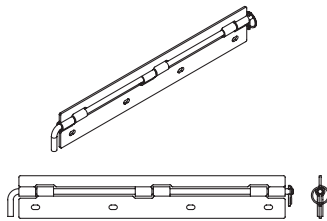
| PART NO. | DESCRIPTION |
|-----------|--|
| 89374 | 0.50" rubber 24.00" x 36.00" Black rubber - holes for 30" or 36"H with raised red & white Henderson logo imprint |
| 112237 | 0.50" rubber 24.00" x 36.00" Black rubber - holes for 30" or 36"H |
| 76561 | Poly 24.00" x 36.00" Black poly with red & white Henderson logo imprint |
| 142675 | Poly 24.00" x 30.00" Black poly - plain |
| 96581.201 | 10-ga. sheet 24.00" x 30.00" 0.13" stainless steel sheet with folded vertical edges |

Mud Flap Brackets



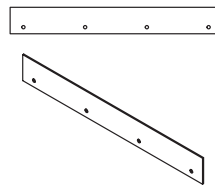
160057

- Anti-sail bracket
- Stainless steel
- 26.13"W x 21.00"H



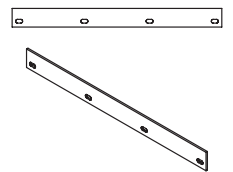
108270.201

- Left or right side bracket
- Stainless steel
- 24.00"W x 3.84"H



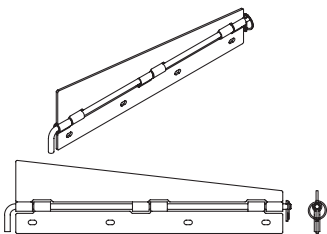
108752.201

- Stainless steel
- 24.00"W x 3.00"H



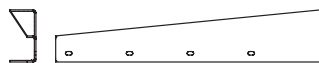
110896.201

- Anti-sail bracket
- Stainless steel
- 22.50"W x 2.00"H



152186.201

- Left or right side bracket
- Stainless steel
- 24.00"W x 6.57"/3.84"H



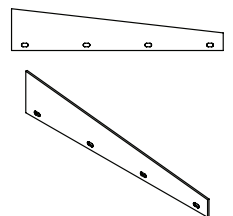
HTE275.201

- Left side bracket
- Stainless steel
- 30.50"W x 6.00"/3.00"H



HTE276.201

- Right side bracket
- Stainless steel
- 30.50"W x 6.00"/3.00"H



133026.201

- Trapezoid bracket
- Stainless steel
- 24.00"W x 4.75"/2.00"H

Stainless Steel Stationary Brackets for Dump Body

| PART NO. | DESCRIPTION | QUANTITY REQUIRED |
|------------|--|-------------------|
| 108752.201 | Bracket 24.00" x 3.00" Stainless steel | 2 |
| 110896.201 | Bracket 22.50" x 2.00" Stainless steel | 2 |

Stainless Steel Stationary Brackets for Flat Floor Munibody

| PART NO. | DESCRIPTION | QUANTITY REQUIRED |
|------------|--|-------------------|
| 113026.201 | Bracket 24.00" x 4.75"/2.00" Stainless steel | 2 |
| 110896.201 | Bracket 22.50" x 2.00" Stainless steel | 2 |

Stainless Steel Swinging Brackets for Dump Body

| PART NO. | DESCRIPTION | QUANTITY REQUIRED |
|------------|--|-------------------|
| 108270.201 | Bracket 24.00" x 4.75"/2.00" Stainless steel | 1 |

Stainless Steel Swinging Brackets for Flat Floor Munibody

| PART NO. | DESCRIPTION | QUANTITY REQUIRED |
|------------|--|-------------------|
| 133026.201 | Bracket 24.00" x 4.75"/2.00" Stainless steel | 2 |
| 108270.201 | Bracket 24.00" x 4.75"/2.00" Stainless steel | 2 |
| 152186.201 | Bracket 24.00" x 6.57"/3.84" Stainless steel | 2 |

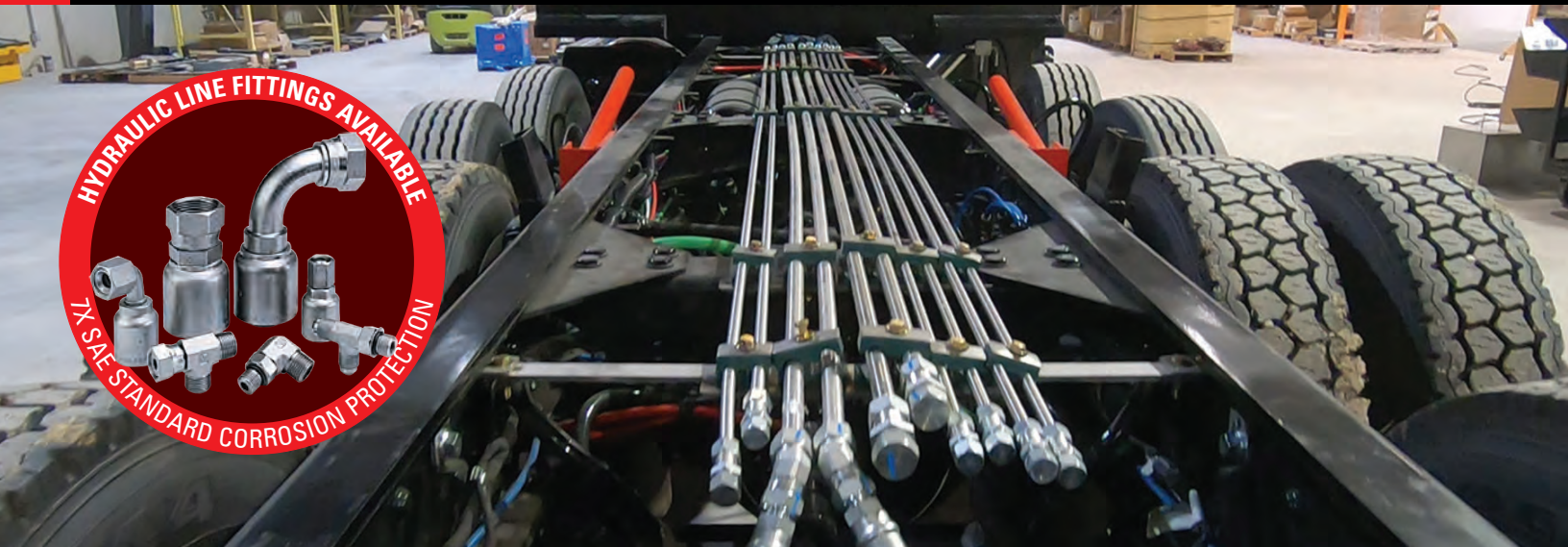
Stainless Steel Frame-Mounted Brackets with Anti-Sail

| PART NO. | DESCRIPTION | QUANTITY REQUIRED |
|------------|---|-------------------|
| HTE275.201 | Bracket 30.50" x 6.00"/3.00" Stainless steel - left side | 1 |
| HTE276.201 | Bracket 30.50" x 6.00"/3.00" Stainless steel - right side | 1 |
| 160057 | Bracket 26.13" x 21.00" Stainless steel wire | 2 |
| 110896.201 | Bracket 22.50" x 2.00" Stainless steel | 2 |

Stainless Steel Body-Mounted Brackets with Anti-Sail

| PART NO. | DESCRIPTION | QUANTITY REQUIRED |
|------------|--|-------------------|
| 108752.201 | Bracket 24.00" x 3.00" Stainless steel | 2 |
| 160057 | Bracket 26.13" x 21.00" Stainless steel wire | 2 |
| 110896.201 | Bracket 22.50" x 2.00" Stainless steel | 2 |

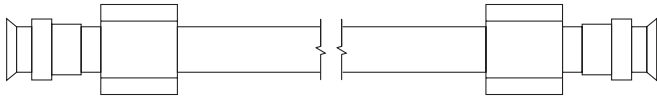
Hydraulics & Brackets



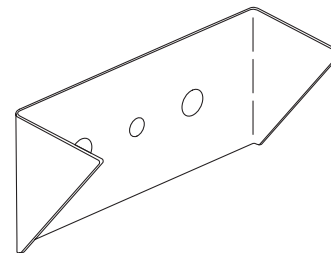
Stainless Steel Hydraulic Lines

| PART NO. | DESCRIPTION |
|----------|---|
| 162246 | 0.50" dia. 48.00" long 3,800 PSI Ends: 37° single flare w/ female JIC ferrule and female JIC flare nut |
| 162190 | 0.50" dia. 72.00" long 3,800 PSI Ends: 37° single flare w/ female JIC ferrule and female JIC flare nut |
| 163602 | 0.50" dia. 108.00" long 3,800 PSI Ends: 37° single flare w/ female JIC ferrule and female JIC flare nut |
| 162247 | 0.75" dia. 48.00" long 3,400 PSI Ends: 37° single flare w/ female JIC ferrule and female JIC flare nut |
| 162179 | 0.75" dia. 72.00" long 3,400 PSI Ends: 37° single flare w/ female JIC ferrule and female JIC flare nut |
| 163599 | 0.75" dia. 108.00" long 3,400 PSI Ends: 37° single flare w/ female JIC ferrule and female JIC flare nut |

Others available upon request.



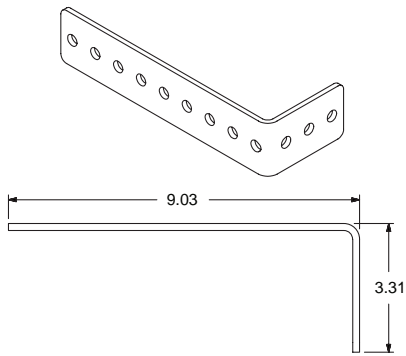
Stainless Steel Hydraulic Hose Coupling Brackets



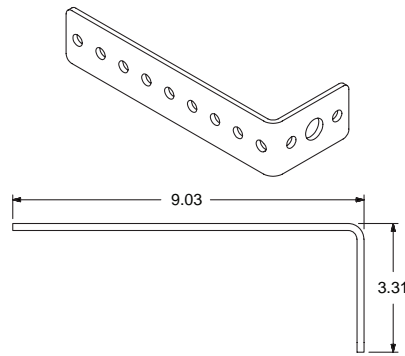
HTE156.201

- 12-ga. 201 stainless steel
- 8.38" w x 3.98" h with 4.84" D gussets
- Two .75" holes and one .53" hole

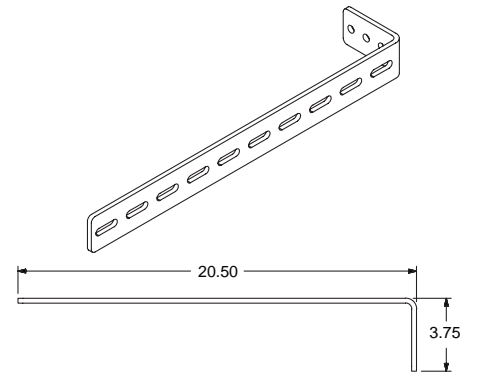
Universal Stainless Steel Brackets



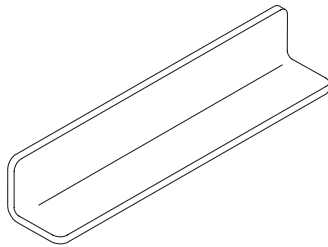
137703



148960



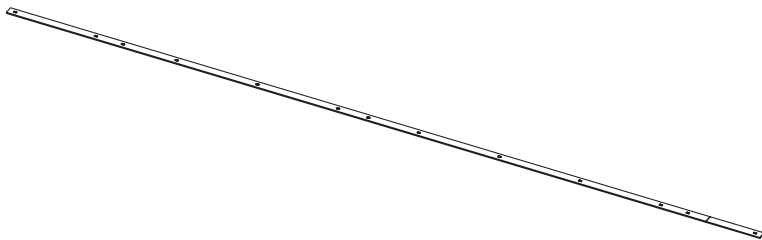
152715



HTE366
Formed Angle Bracket



HTE205
Universal Strap Bracket



Universal Stainless Steel Backbone Support Bar

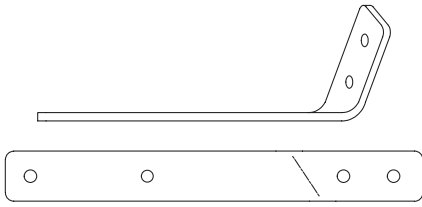
| PART NO. | DESCRIPTION |
|----------|---|
| HTE342 | 0.25" plate 10.00' long Pre-punched holes |
| HTE448 | 0.25" plate 14.00' long Pre-punched holes |
| HTE448A | 0.25" plate 13.00' long Pre-punched holes |
| HTE448B | 0.25" plate 1.00' long Pre-punched holes |



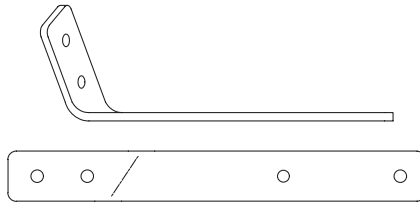
Universal Pipe Clamps (Bolts not included)

| PART NO. | DESCRIPTION |
|----------|---|
| 160471 | 1.00" green poly clamp |
| 160472 | Stainless steel top clamp for line |
| 160473 | 0.50" double tube clamp |
| 160474 | 0.75" double tube clamp |
| 160475 | 0.50" stainless steel double tube clamp cover |
| 160476 | 0.75" stainless steel double tube clamp cover |

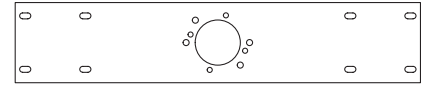
Brackets & Hangers



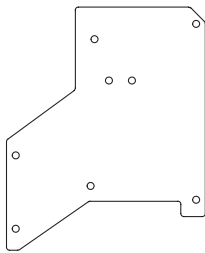
HTE225.201
Light Bracket, RH



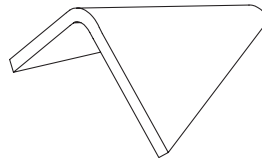
HTE226.201
Light Bracket, LH



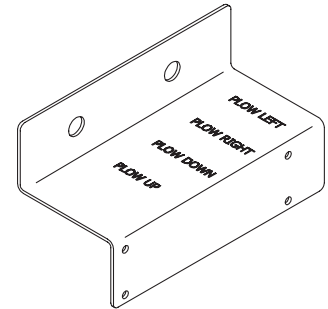
HTE34
Front Mount Pump Bracket



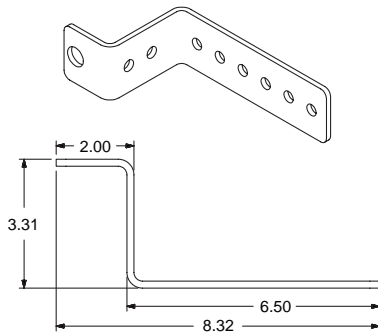
148156.201
J-Box Mount Bracket



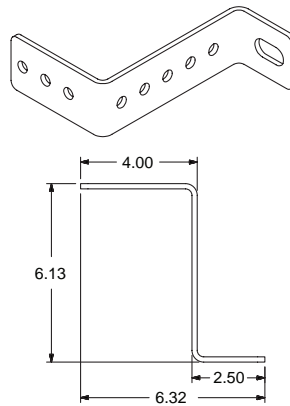
144285
License Plate Light Cover



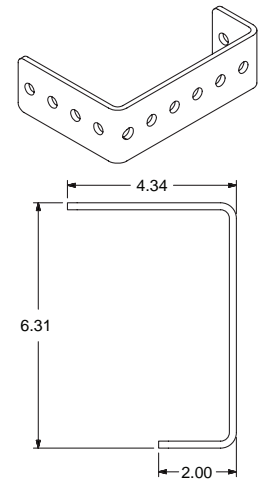
140250.201
Z Bracket



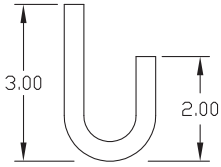
HTE343



HTE344



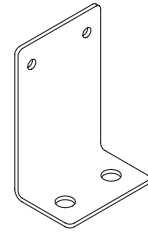
137702



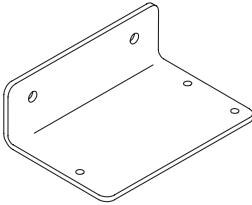
85799.304
Chain Hanger Hook



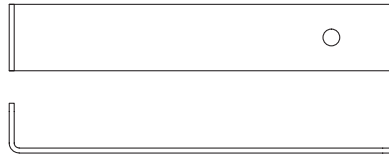
106780.304
Wire Harness Standoff
1" x 12"
Others available upon request.



138900 / 138900.201
Wire Harness Standoff
3" x 7"



152040.201
Spinner Board Bracket



157342
Dash Monitor Bracket



Hydraulic Couplers & Sensors



160309
Female Coupler
QD, 08-08FP



160310
Male Coupler
QD, 08-08FP

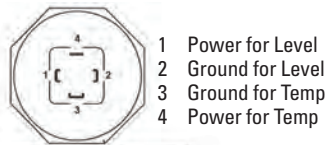
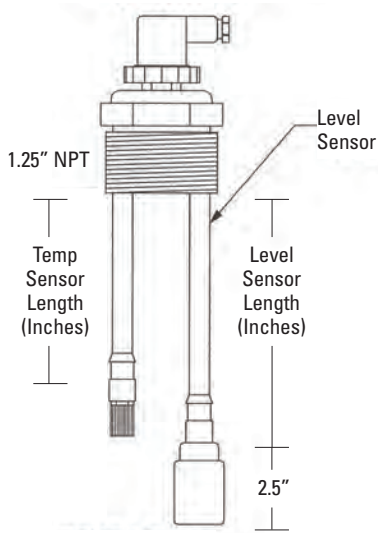


160311
Female Coupler
QD, 12-12FP

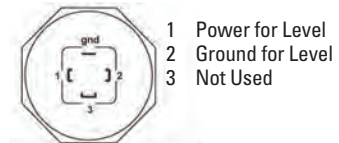
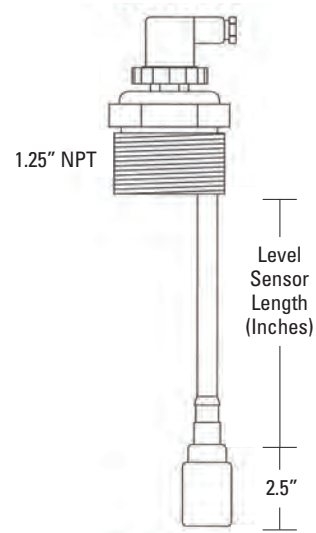


160313
Male Coupler
QD, 12-12FP

Hydraulic Tank Temp/Level Sensor



Hydraulic Tank Level Sensor



Reservoir Temp/Level Sensors

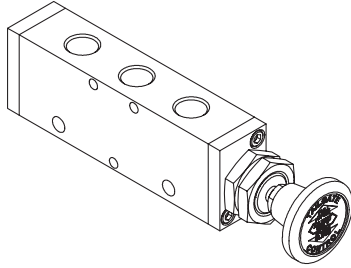
| PART NO. | TEMP SENSOR LENGTH | LEVEL SENSOR LENGTH |
|----------|--------------------|---------------------|
| 160257 | 10" | 12" |
| 307202 | 12" | 14" |
| 160300 | 15" | 17" |
| 163623 | 20" | 22" |
| 164855 | 20" | 24" |
| 160037 | 20" | 28" |

Reservoir Level Sensors

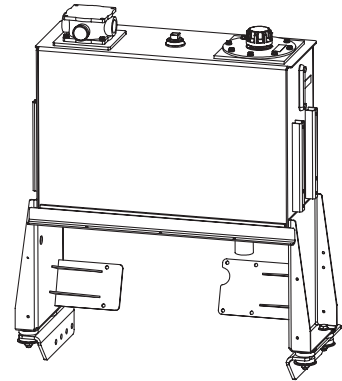
| PART NO. | LEVEL SENSOR LENGTH |
|----------|---------------------|
| 160296 | 10" |
| 165075 | 12" |
| 160297 | 14" |
| 160298 | 17" |
| 161891 | 28" |



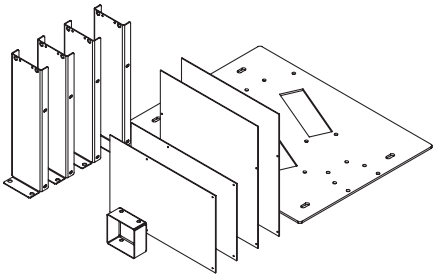
86225
Tailgate Control Air Valve
12V DC



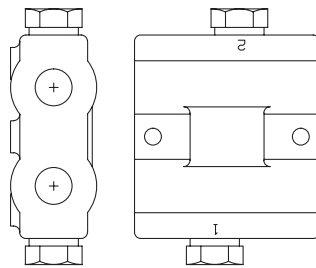
76454
Tailgate Manual Control Air Valve



151563.201
Reservoir Assembly with Mount
Others available upon request.



151809.201
Cable Console Kit



87748
Plow Cushion Valve
1800 PSI

Plow Light Bracket Kits



Freightliner® 114SD Mid-2019 to current International®

| PART NO. | DESCRIPTION | | | QUANTITY REQUIRED |
|----------|-----------------|----------|--------------------------------------|-------------------|
| 107891 | Bracket & light | Left | Stainless steel | 1 |
| 108122 | Bracket & light | Right | Stainless steel | 1 |
| 160129 | Bolt Kit - SS | Complete | Stainless steel bolts, nuts, washers | 1 |



Freightliner® 114SD Up to mid-2019

| PART NO. | DESCRIPTION | | | QUANTITY REQUIRED |
|------------|---------------|----------|--------------------------------------|-------------------|
| 140720.201 | Bracket | Left | Stainless steel | 1 |
| 140721.201 | Bracket | Right | Stainless steel | 1 |
| 160129 | Bolt Kit - SS | Complete | Stainless steel bolts, nuts, washers | 1 |



Freightliner® Western Star® Other brands

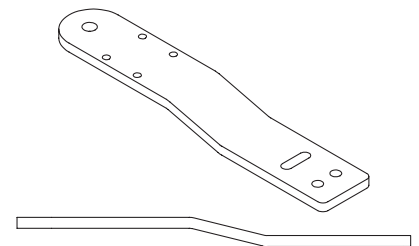
| PART NO. | DESCRIPTION | | | QUANTITY REQUIRED |
|------------|-------------------|---------------|--------------------------------------|-------------------|
| 122933.304 | 1 bracket & light | Left or right | Stainless steel | 2 |
| 160129 | Bolt Kit - SS | Complete | Stainless steel bolts, nuts, washers | 1 |



108122
Interior Light Bracket
7400/RH



107891
Interior Light Bracket
7400/LH



140358.201
Plow Light Extension Bracket



International®

| PART NO. | DESCRIPTION | QUANTITY REQUIRED |
|------------|--|-------------------|
| HTE331.201 | 2 brackets w/ bolts Left & right Stainless steel | 1 |



Mack®

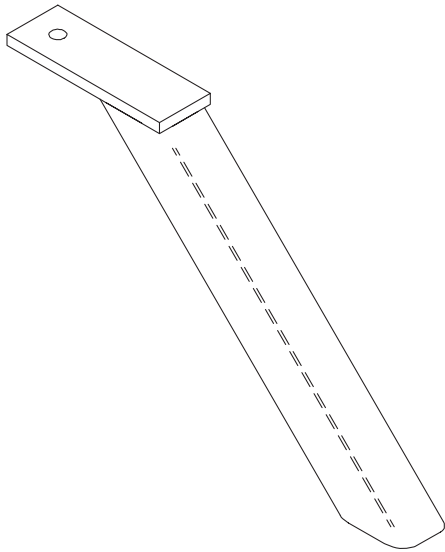
| PART NO. | DESCRIPTION | QUANTITY REQUIRED |
|----------|---|-------------------|
| HTE115 | Bracket Left Stainless steel | 1 |
| HTE116 | Bracket Right Stainless steel | 1 |
| 160129 | Bolt Kit - SS Complete Stainless steel bolts, nuts, washers | 1 |



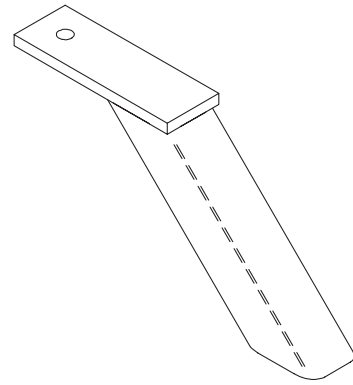
Peterbilt®

| PART NO. | DESCRIPTION | QUANTITY REQUIRED |
|----------|---|-------------------|
| 108311 | 1 bracket w/ bolts Left or right Stainless steel | 2 |
| 160129 | Bolt Kit - SS Complete Stainless steel bolts, nuts, washers | 1 |

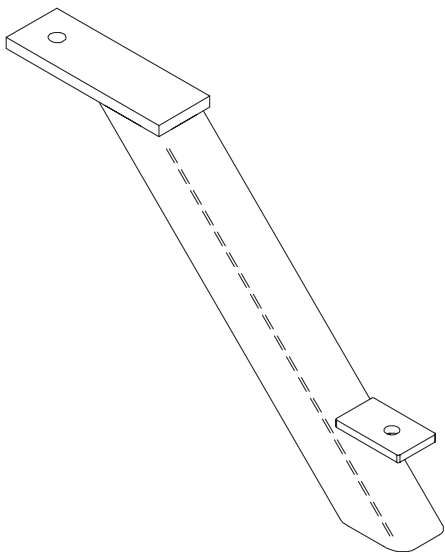
Plow Light Brackets for Power Tilt Hitch



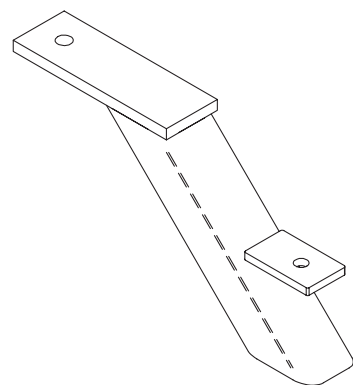
137601
Tall bracket



137603
Short bracket



159000
Tall bracket
with fog light tab



159001
Short bracket
with fog light tab

Lights & Connectors

Connector Parts



EXAMPLE
183463
Complete kit with parts: Connector 129514, Wedge 129523 and Terminals 129499 as shown above.

More connectors available upon request.



160890
120 amp circuit breaker
■ Reset



160487
4" LED 12V work light
■ Black rubber surround



161210
Beacon light
■ Amber
■ 12V Dual LED



160201
Red PC light
■ 12V LED
■ With grommet



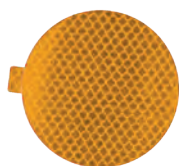
160203
Amber PC light
■ 12V LED
■ With grommet



160205
Clear DOT license light
■ 12V LED
■ With grommet



77210
3" red reflector
adhesive back



77216
3" amber reflector
adhesive back

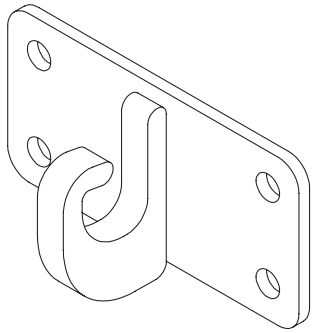


160490
17" aluminum light bar
■ 3 LED lights
■ 12V

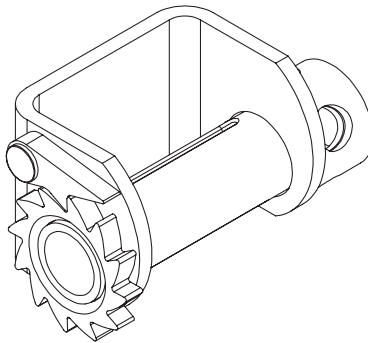


160341
8" center mount mirror

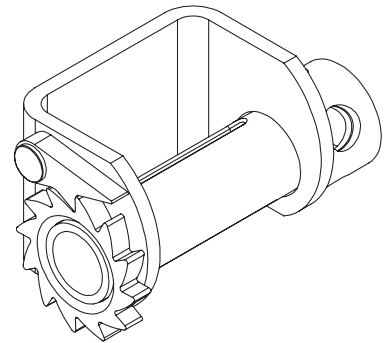
Straps and Hold-Downs



115837.201
Stainless steel hook
 ■ Requires four 0.5" bolts to attach

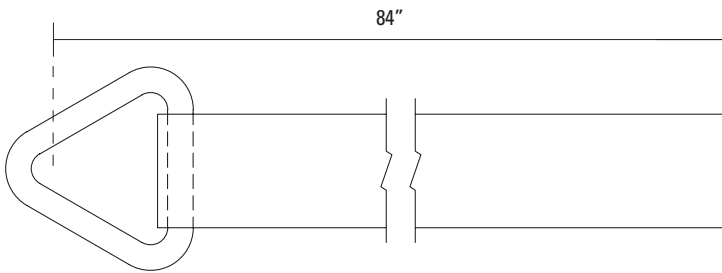


128700.304
Stainless steel strap winch

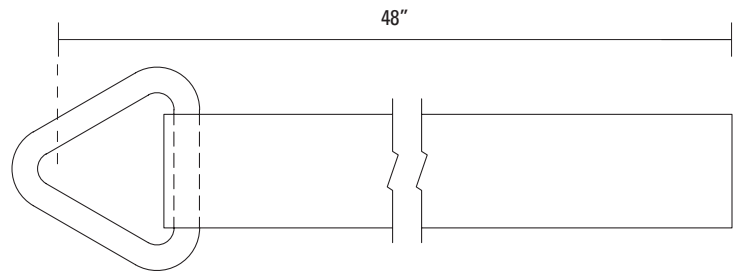


108696
Mild steel strap winch
 ■ Painted black

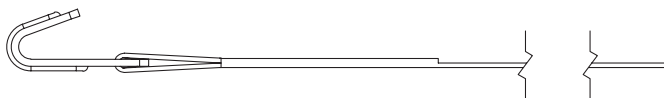
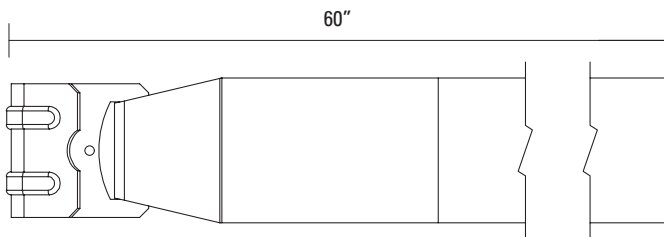
112054
Winch Bar



143046
 ■ Strap tie-down with Delta ring
 ■ 4" webbing
 ■ Working load limit: 5,400 lbs.
 ■ Assembly breaking strength: 16,200 lbs.
 ■ 84" overall length

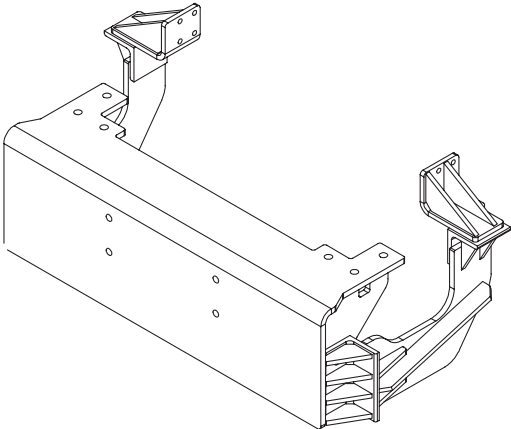


138695
 ■ Strap tie-down with Delta ring
 ■ 4" webbing
 ■ Working load limit: 5,400 lbs.
 ■ Assembly breaking strength: 16,200 lbs.
 ■ 48" overall length

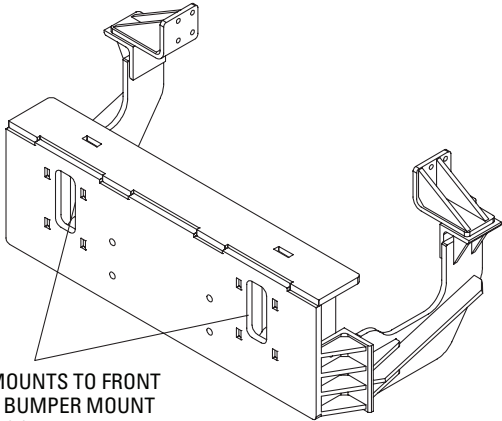


148005
 ■ Strap tie-down with flat hook
 ■ 4" webbing
 ■ Hook working load limit: 5,400 lbs.
 ■ Hook assembly breaking strength: 7,350 lbs.
 ■ Strap working load limit: 6,600 lbs.
 ■ Strap breaking strength: 19,800 lbs.

Hitch Mount Kits

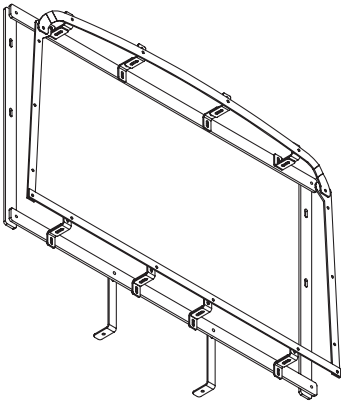


180792
For T380 / T480 / 548 Kenworth

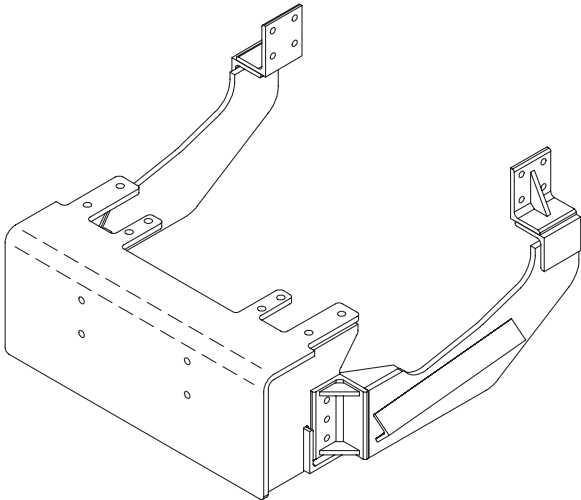
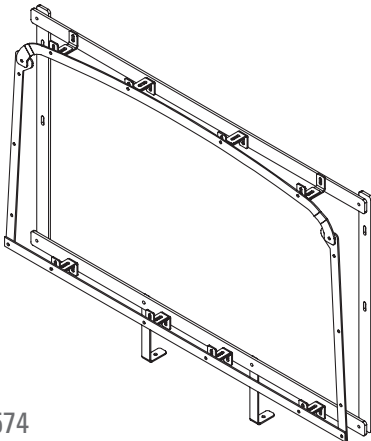


HITCH MOUNTS TO FRONT
WINCH BUMPER MOUNT
WITH (4) 0.75" BOLTS

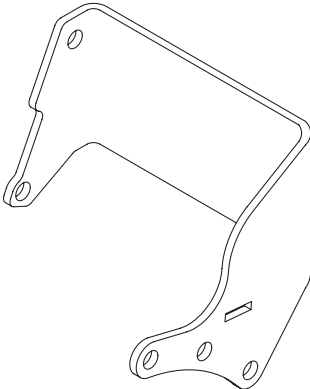
180889
For T380 / T480 / 548 Kenworth
with winch



176574
Fixed grill kit
for Kenworth

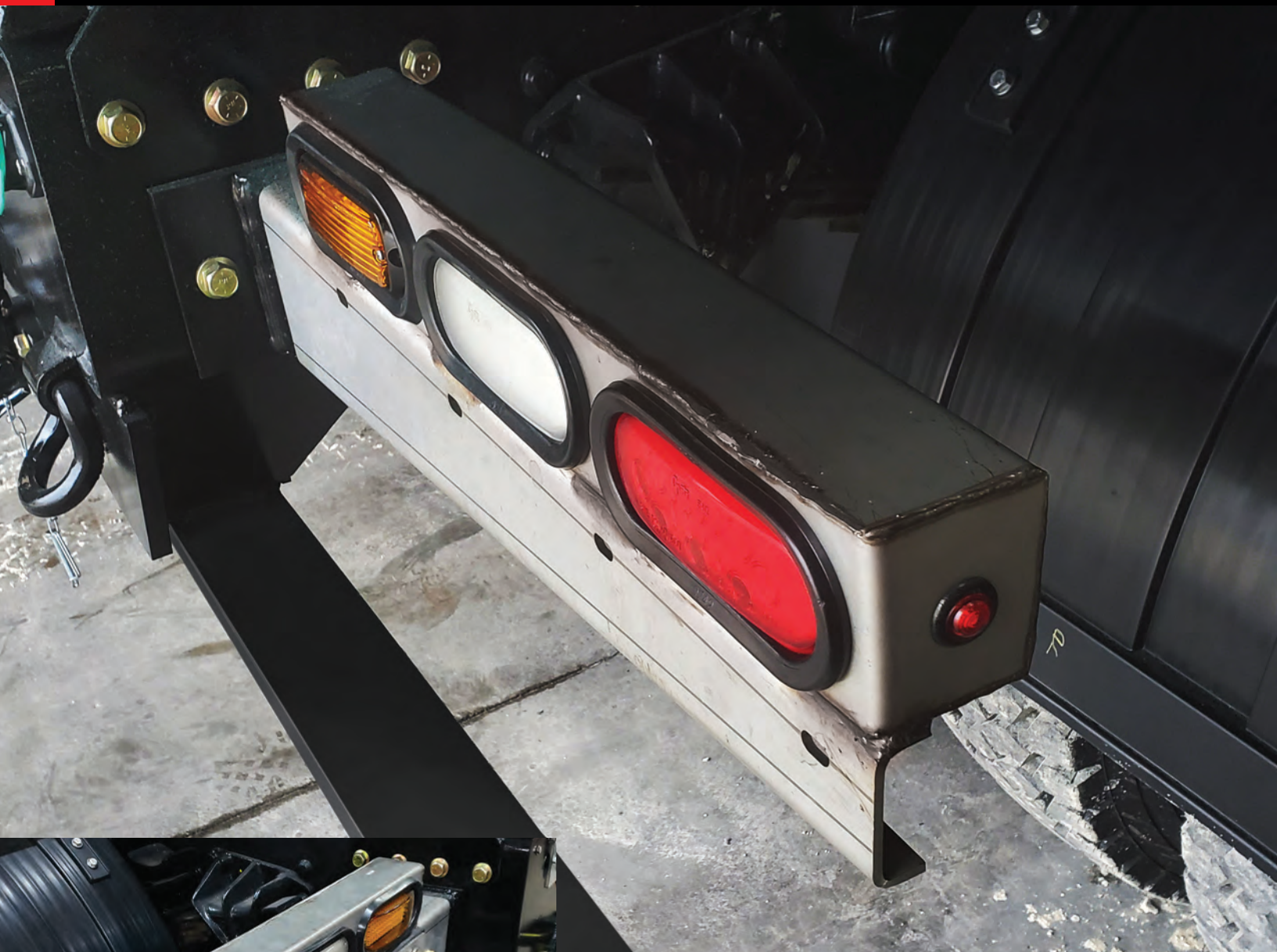


180589
For T370 / T470 / 348 Kenworth



177246
M2 mount kit for Freightliner

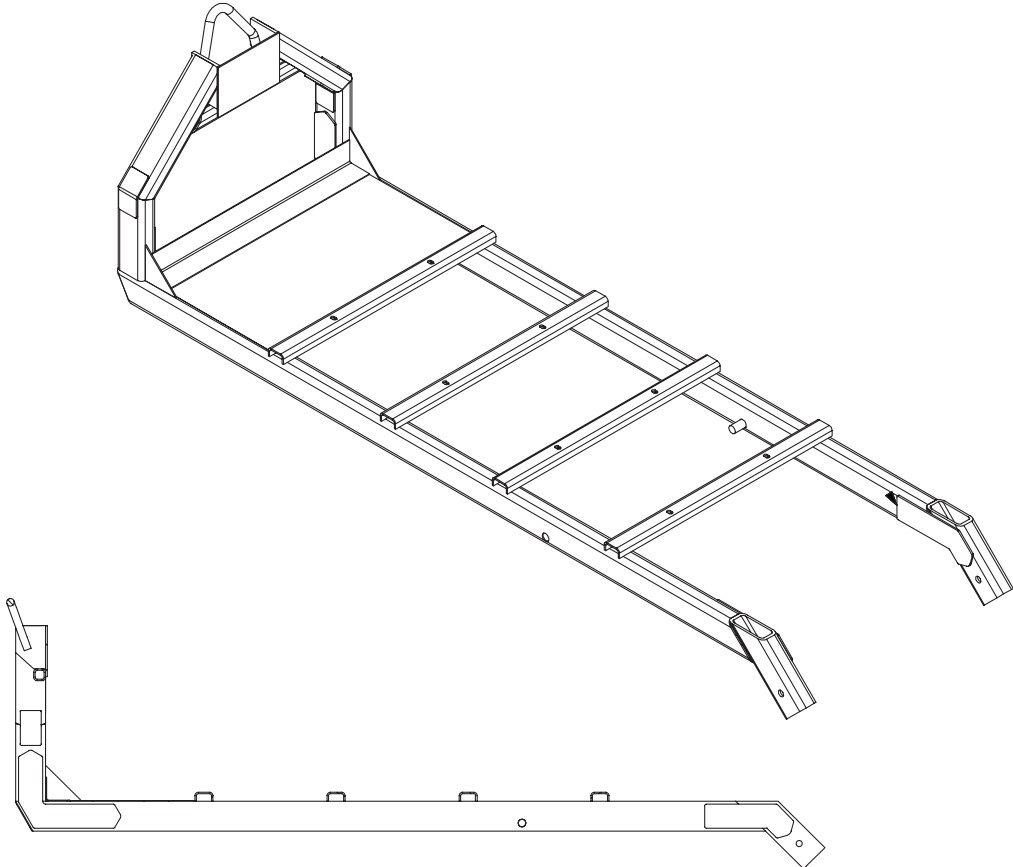
Hooklift Accessories



Stainless Steel Rear Frame Mount & 3H Light Kit for Hooklifts 160514

| DESCRIPTION | QUANTITY |
|---|----------|
| Light box weldment, stainless steel, for triple oval lights | 2 |
| Light, oval, SST, LED, 6.5 | 2 |
| Harness, rear, 3-way plug | 1 |
| Strobe light, amber, oval, LED | 2 |
| Work light, LED, 5", Optilux | 2 |
| Backup light, LED | 2 |
| Wire harness, main, 7 cond, 300" | 1 |
| Marker light, DOT, LED, red | 2 |
| Grommets, light, 6", oval | 4 |
| Mud flap bracket, chassis mount, LH | 1 |
| Mud flap bracket, chassis mount, RH | 1 |

Hooklift A-Frames



Hooklift frames made to order

Parts Sales Team

Contact us with your parts order today



Tanya Beasley
Parts Sales Specialist



Dave Cabalka
Parts Sales Specialist



Joey Giard
Parts Sales Specialist



Dana Horning
Parts Sales Specialist



Dennis Meisgeier
Parts Sales Specialist

parts@hendersonproducts.com

800-359-4970

hendersonproducts.com/parts

Are You Ready for Winter?



Scan the code for our most current
Henderson upfitter parts

Henderson

HENDERSON PRODUCTS INC.
1085 S. Third St., Manchester, IA 52057
800-359-4970

*The
Dependable
Ones*