



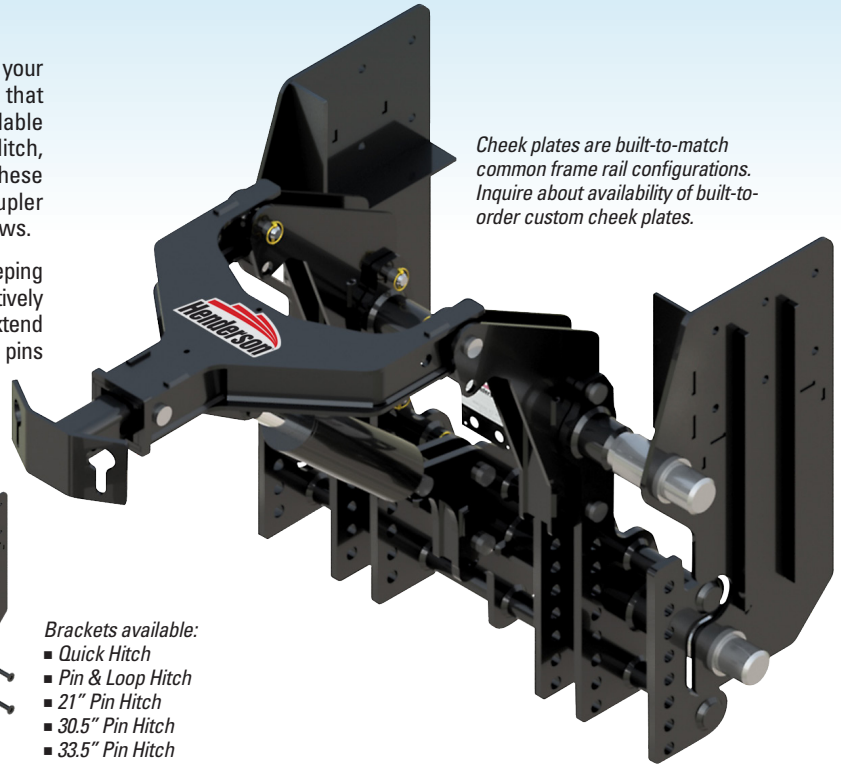
PROHITCH™

Henderson's ProHitch provides the operator ultimate control over your snow plow. The new ProHitch is an adjustable, universal receiver that can be used with three common connection styles. Brackets available for the ProHitch receiver system include: Quick Hitch, Pin & Loop Hitch, and Pin Hitches (21", 30.5" and 33.5"). The modular design allows these hitch styles to be used interchangeably. This unique receiver/coupler system offers a single-solution for fleets operating with multiple plows.

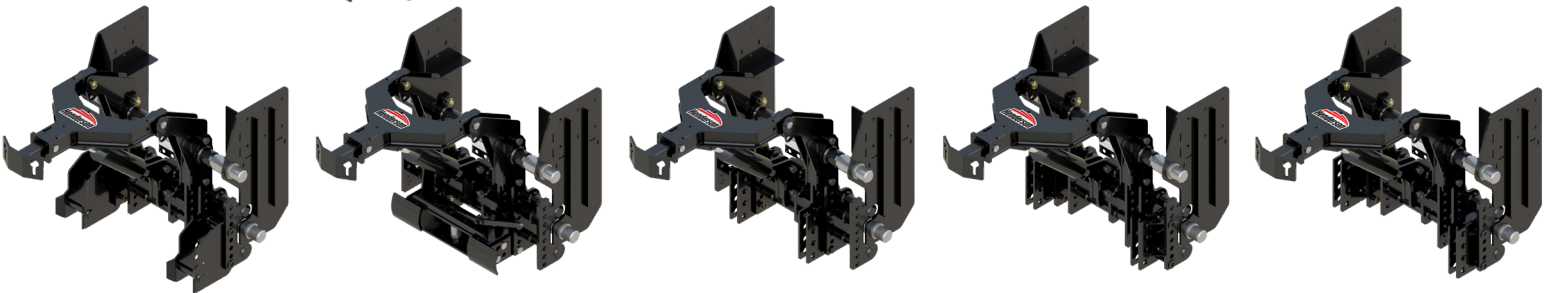
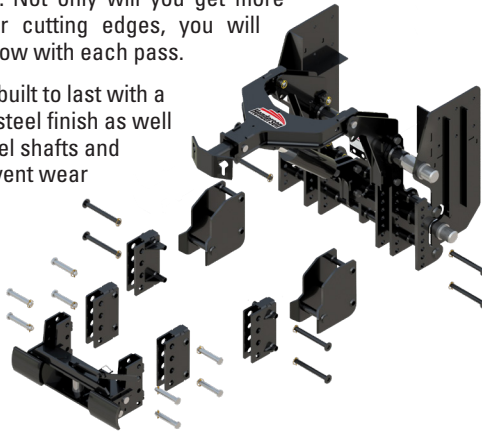
ProHitch brackets are height adjustable in 1" increments. Keeping the plow moldboard attack angle adjusted correctly will positively provide peak performance on different road surfaces and extend the life of cutting edges. As a cutting edge wears, simply pull the pins and adjust the brackets to the desired height, then reinsert the pins. Not only will you get more miles from your cutting edges, you will remove more snow with each pass.

The ProHitch is built to last with a powder coated steel finish as well as stainless steel shafts and bushings to prevent wear and corrosion.

Cheek plates are built-to-match common frame rail configurations. Inquire about availability of built-to-order custom cheek plates.



- Brackets available:
- Quick Hitch
 - Pin & Loop Hitch
 - 21" Pin Hitch
 - 30.5" Pin Hitch
 - 33.5" Pin Hitch



Quick Hitch

7 HEIGHT ADJUSTMENTS AVAILABLE

Pin & Loop Hitch

3 HEIGHT ADJUSTMENTS AVAILABLE

21" Pin Hitch

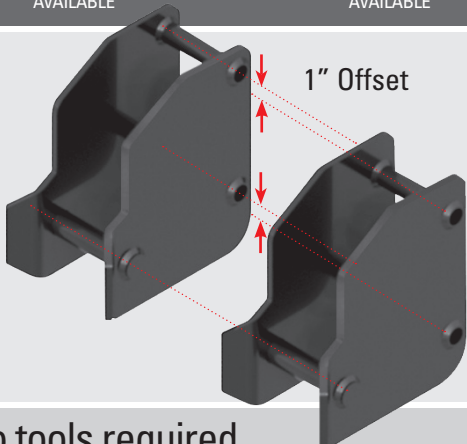
12 HEIGHT ADJUSTMENTS AVAILABLE

30.5" Pin Hitch

12 HEIGHT ADJUSTMENTS AVAILABLE

33.5" Pin Hitch

14 HEIGHT ADJUSTMENTS AVAILABLE

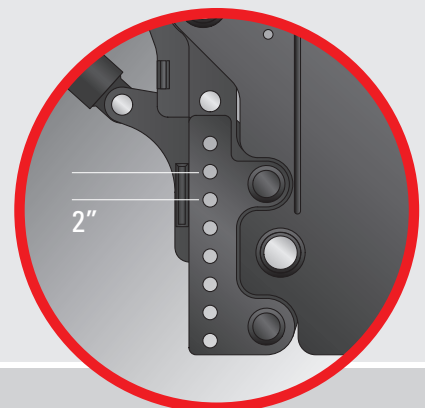


1" Offset

Offset Brackets

Each pair of brackets feature offset holes. Working in conjunction with offset mounting holes on the main body, swapping brackets side-to-side allows for a 1" height adjustment.

Keeping the brackets in their original locations allows a 2" height adjustment.



2"

No tools required



Shown with Quick Hitch brackets

Bolt-on installation

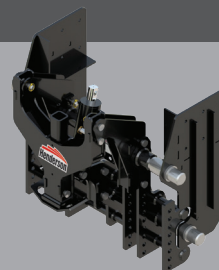
Open design prevents material buildup

Allows access for cleaning & inspection

Available with 3" or 4" lift cylinders

Powder coated finish with stainless steel bushings

Designed to work with most forward-tilt hood openings



Lift arm folds flat for storage

PRO HITCH SPECIFICATIONS

| HITCH TYPE | CONNECTION WIDTH (in.) | FRAME RAIL WIDTH (in.) | BUMPER SLACK ADJUSTMENT (in.) | CONNECTION POINT DISTANCE FROM FRONT OF FRAME RAIL (in.) | FOLDED DEPTH FRONT OF FRAME RAIL TO FRONT EDGE OF LIFT ARM (in.) | HEIGHT ADJUSTMENT (in.) | AVAILABLE HEIGHT POSITIONS | WEIGHT ESTIMATED (lbs.) |
|------------------|------------------------|------------------------|-------------------------------|--|--|-------------------------|----------------------------|-------------------------|
| QUICK HITCH | 30.5 / 33.5 | 33.75 - 47.63 | - | 10.3125 to center of pin | 16.625 | Vertical & Opposable | 7 | 773 |
| PIN & LOOP HITCH | - | 33.75 - 47.63 | 0.3125 | 11.879 / 11.566 to front of bumper | 16.625 | Vertical | 3 | 846 |
| 21" PIN HITCH | 21 | 33.75 - 47.63 | - | 6.195 to center of hole | 16.625 | Vertical | 12 | 735 |
| 30.5" PIN HITCH | 30.5 | 33.75 - 47.63 | - | 6.195 to center of hole | 16.625 | Vertical | 12 | 739 |
| 33.5" PIN HITCH | 33.5 | 33.75 - 47.63 | - | 6.195 to center of hole | 16.625 | Vertical | 14 | 739 |

Pushframe Styles



Standard Pushframe
ALSO AVAILABLE AS HEAVY-DUTY
STANDARD OR FULL-WIDTH



Tubular Pushframe
STANDARD OR FULL-WIDTH



Outboard Cylinders Pushframe
STANDARD OR FULL-WIDTH

Many other hitch options are available including Flat Plate Hitch, Low Profile Hitches, Manual & Power Tilt, Husting Hitch, Parallelogram Hitch and more.
Over 90 plow/push frame/hitch configurations to choose!

COMPLETE MUNICIPAL SNOW & ICE CONTROL SOLUTIONS

PLOWS • WINGS • UNDERBODY SCRAPERS • SAND & SALT SPREADERS • STANDARD & PRECISION SPINNERS • DUMP BODIES • COMBINATION (MUNICIPAL) BODIES
BRINE PRODUCTION & MANAGEMENT SYSTEMS • ANTI-ICE SYSTEMS • PRE-WET SYSTEMS • SLURRY SYSTEMS • COMPLETE TURNKEY PACKAGES



© Henderson Products, Inc., A division of Douglas Dynamics, LLC., reserves the right in pursuit of continuous product improvement to change specifications used herein.
As a **custom manufacturer** of truck bodies, truck equipment and brine systems, additional product options may be available that are not shown here.



1085 S. Third Street, Manchester, IA 52057
Toll Free: (800) 359-4970
www.HendersonProducts.com

Sourcewell 
CONTRACT: 080818-HPI



HP-154 06/20